

Exploded View Parts for Model

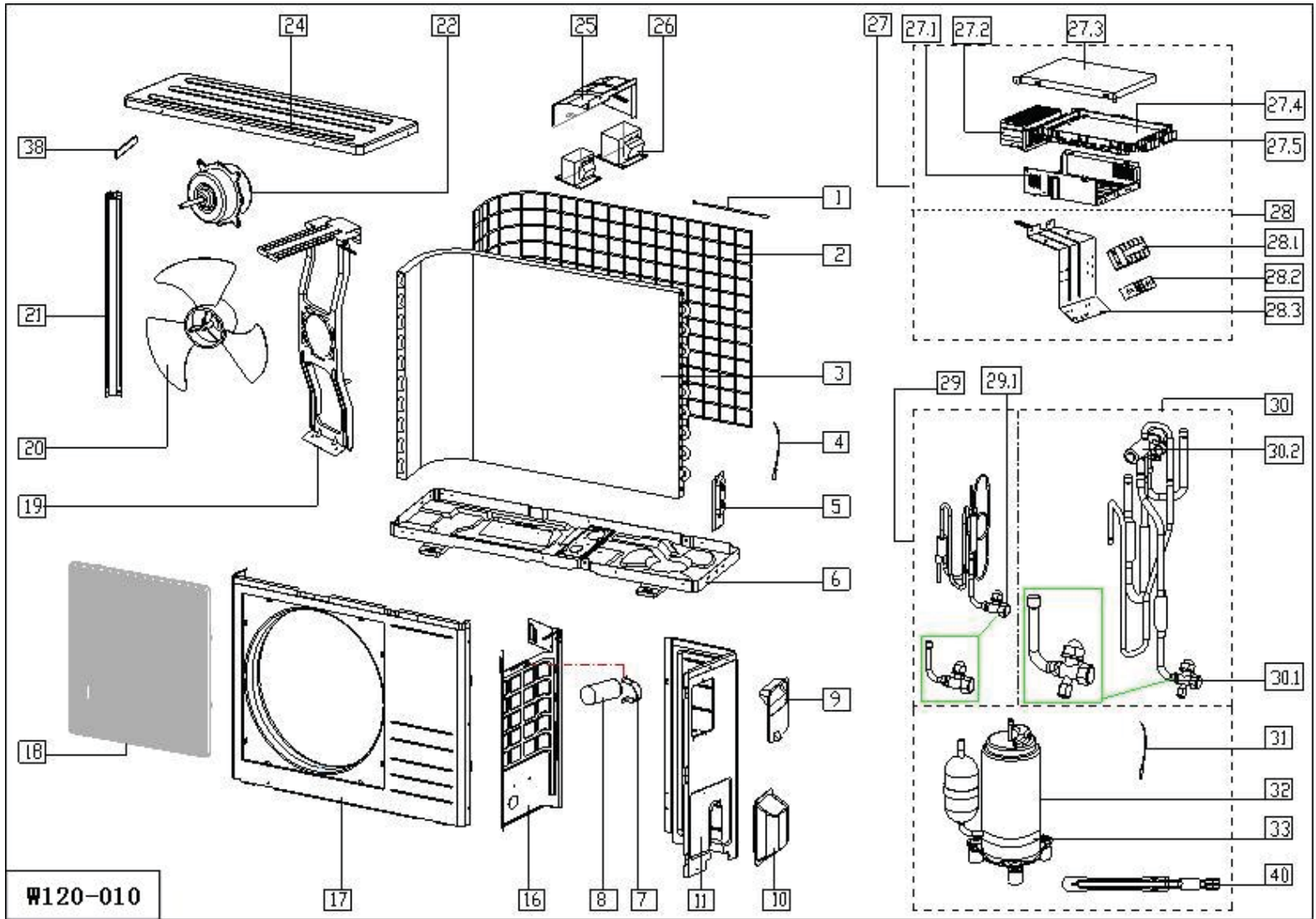
Factory model: US1-KFR35W/BP3N1W-120(TOIR)

Power Supply: 208-230V~ 60Hz 1Phase

Sale model: MSV1-12HRDN1- MT0

ProdCode: 220037503660

Outdoor unit



No.	Part Name	Qty	BOM code	Remark
1	Indoor temp sensor	1	202301310063	
2	Rear net	1	2011374G0003	
3	condenser coil assembly	1	201537490008	
4	Pipe Temperature Sensor	1	202440500004	
5	valve plate	1	201235120614	
6	base pan assembly	1	201237590048	
7	clip, capacitor	1	201200100005	
8	Capacitor,Compressor	1	202401000612	
9	Big handle	1	201235290217	
10	Water collector	1	201135270201	
11	Right clapboard	1	201237590003	
16	partition plate assembly	1	201237590008	
17	front panel	1	201237400029	
18	Front net	1	201235100023	
19	motor mounting bracket assembly	1	201237390026	
20	axial flow fan	1	201100390002	
21	Left supporter	1	201237400028	
22	asynchronism motor(iron)	1	202400370023	
24	top cover assembly	1	201235270249	
25	2-Cover for reactance filter	1	201235250802	
26	Reactor	1	202301000819	R6025B(AL)(BP)
26	Reactor	1	202301000820	R1310L(AL)(BP)
27	electrical box assembly	1	203337390166	
27.1	E-Parts box	1	201237300033	
27.2	Radiator	1	202301900068	
27.3	E-Parts box's cover	1	201237300162	
27.4	Main control board	1	201337390108	
27.5	Holder for E-parts	1	201137300162	
28	board of terminal,assy	1	203337590049	
28.1	Wire joint	1	202301400223	JXZ-PG6HG6-A
28.2	Washer for wire joint	1	201135000004	
28.3	board of terminal	1	201237590046	
29	liquid valve assembly	1	201637490232	
29.1	Liquid valve	1	201600740523	
30	Gas valve assembly	1	201637590195	
30.1	Gas pipe valve	1	201600720201	
30.2	4-Ways valve	1	201600670003	
31	Discharge temp sensor Ass'y	1	202301310068	
32	rotary compressor	1	201400620600	
33	Heating belt for comp	1	202403100501	
38	Small handle	1	201150290006	
40	electric pipe heater	1	202403100187	