

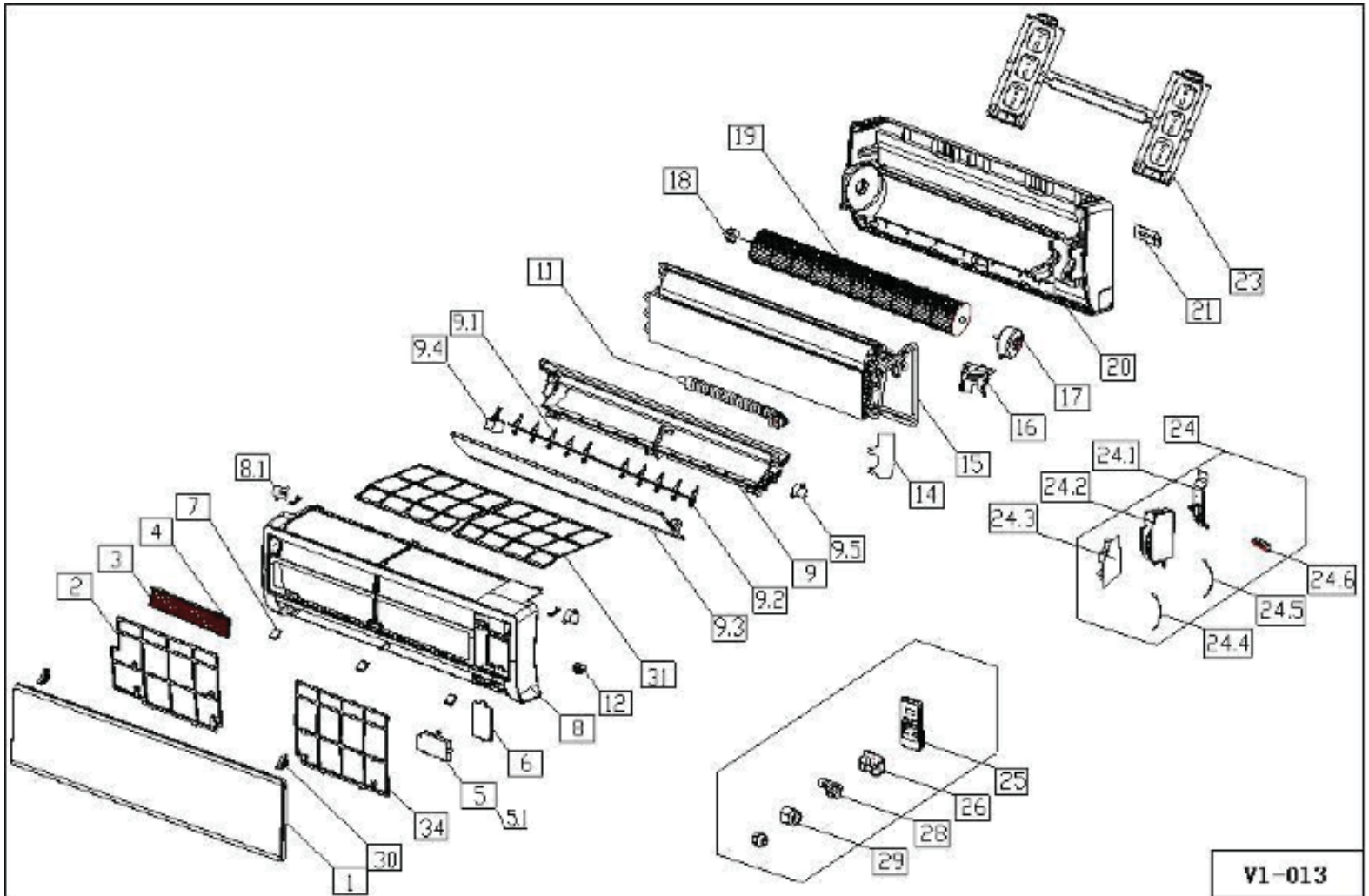
# Exploded View Parts for Model MSV1-12HRDN1- MT0

# Indoor unit

Factory model: US1-KFR35G/BP3N1WY-V1(TOIR)

ProdCode: 220032503610

Power Supply: 208-230V~ 60Hz 1Phase



V1-013

No.	Part Name	Qty	BOM code	Remark
1	Front panel assy	1	201132590008	
2	Air filter(left)	1	201132500013	KFR-35G/DUY-V1-5
3	Air cleaner	1	201130100212	
4	Air cleaner holder	1	201130100217	
5	Display box assy	1	203332590183	
5.1	Display board assy	1	201332590136	
6	Window cover for repairing	1	201132500012	
7	Screw cap	3	201132500055	
8	Panel frame assy	1	201132500052	
8.1	Louver motor	1	202400200105	
9	Air out frame assy	1	201132590041	
9.1	Vertical grille	10	201132590031	CE-KFR35G/N1Y-V1.2-1
9.2	Louver holder	1	201132500031	KFR-35G/DUY-V1.2-2
9.2	Louver holder	1	201132500032	KFR-35G/DUY-V1.2-3
9.3	Horizontal louver	1	201132500060	
9.4	negative ion engender	1	202403000006	
9.5	Louver motor	1	202400200017	
11	Drain hose	1	201101020014	
12	Baffle of temperature induction	1	201130490002	
14	Breakwater	1	201132500002	
15	Evaporator,assy	1	201532590004	
16	Motor cover	1	201132500017	
17	Motor	1	202400370022	
18	Bearing holder	1	202730100201	
19	Cross flow fan	1	201100200106	
20	Chassis	1	201132500007	
21	Connecting pipe clamp	1	201232500001	
23	Installation plate	1	201232590025	
24	Electronic control box,indoor unit	1	203332590534	
24.1	E-Parts box's cover	1	201132500021	
24.2	E-Parts box	1	201132500022	
24.3	Main control board	1	201332590617	
24.4	Indoor temp sensor	1	202433190000	
24.5	Evaporator temp sensor	1	202301300080	
24.6	Wire join	1	202301450119	JXZ-AD5Z-A
25	Remote Controller	1	203355000033	
26	Holder,Remote Controller	1	201155060529	
28	Connector for watering	1	201101020011	
29	Copper nut	1	201600320000	TLM-A01
29	Copper nut	1	201600320002	TLM-C03
30	Hinge Slide groove	2	201132500010	
31	Airinlet grille Assebmly	1	201132500054	
34	Air filter(right)	1	201132500011	